

We provide your solutions

CDT-100R,PVC,PTFE



CDT SERIES



VARIOUS LEVEL SENSORS & CONTROLLERS FOR YOUR APPLICATIONS

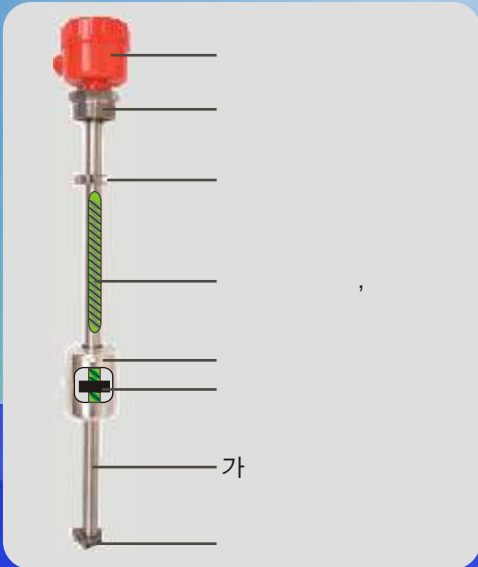


가 ()
426-5
: 02-2025-8188 FAX: 02-2025-8187
e-mail : cdi@cdinstech.net
Web : www.cdikorea.com

II 706

We provide your solutions

CDT-100R, PVC, PTFE



(Float Ball)

가

(Converter)

4-20mA

(Stopper)

가

가

CDT

Signal Converter
CDT-100R

Span

가
100% , Span

DC24V, DC4-20mA Loop power 2
IP67 Weather-proof enclosure
2" screw

가
PTFE, PP PVC

가

가

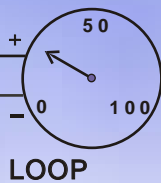
가

가

가



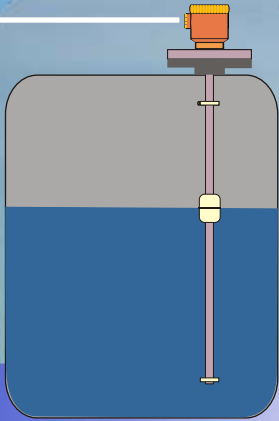
Zero : 4mA Calibration
Span : 20mA Calibration



DC24V

We provide your solutions

CDT-100R, PVC, PTFE



	-20°C to +80°C 10 bar -20°C to +60°C 6m (: 2 3) 0.9 kg/l ±10mm (: 5mm)
--	---

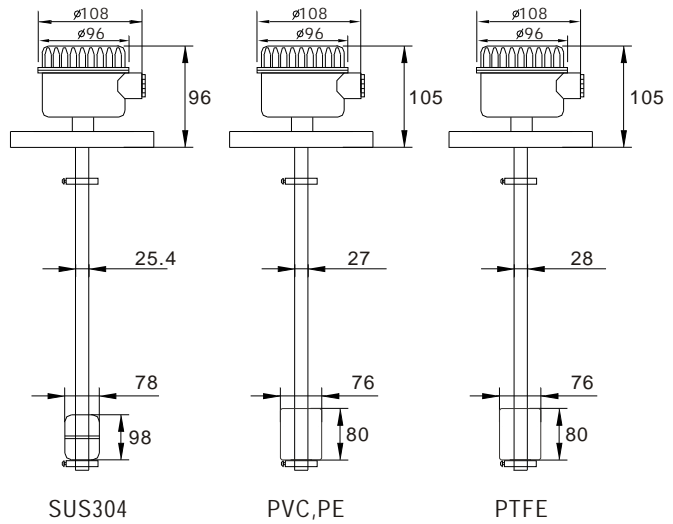
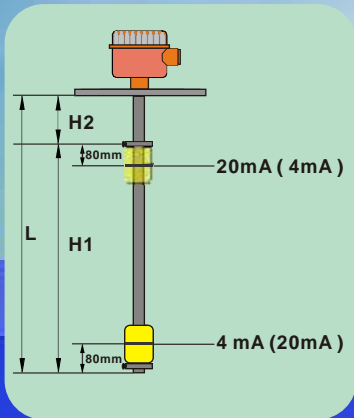
	2" () JIS 10K 80A 6T JIS 10K 100A 6T JIS 10K 125A 6T : RATING
--	---

()	Polycarbonate Stainless Steel 304 Stainless Steel 304 Stainless Steel 304 Stainless Steel 304 Stainless Steel 304 SUS316, PVC, PP, PTFE
-----	---

가	IP65 (NEMA4X) Water-Proof 2-shield wire CVV-SB PG 13.5 DC24V DC 4-20mA
---	---

We provide your solutions

CDT-100R,PVC,PTFE



CDT - 100	
	CDT-100
SUS304	R4
SUS316	R6
PVC	P
	T
()	
JIS 10K 80A (6t)	F3
JIS 10K 100A (6t)	F4
JIS 10K 125A (6t)	F5
2"	S2
()	
0-100% (mm)	H1 (mm)
(mm)	H2 (mm)

CDT100- R4- F4- 3000 - 500