

We provide your solutions

CDI-SA

## STANDARD(SIGNAL LINE USE)ARRESTER CDI-SA



It is designed to use for protection of precise field instruments from various danger of surge, high voltage noise, lightning, etc. Into signal transmitting line.

### MODEL & SPECIFICATION CODE

#### FEATURES

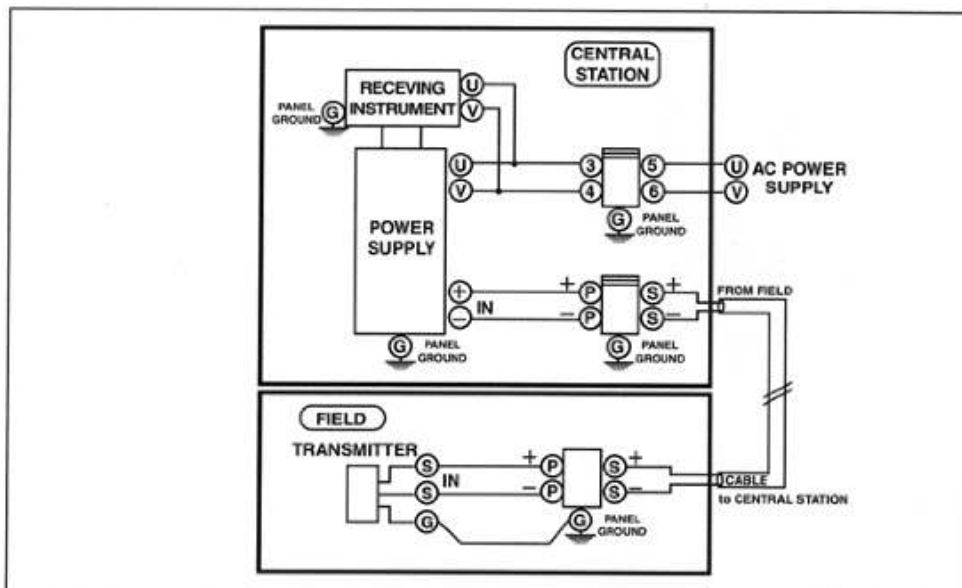
Small size(mm) :  
99.15(H),25(W),61.1(D)  
Case & color :  
Black ABS plastic case

#### INSTALLATION

Operating temperature :  
-5~+55°C  
Operating humidity :  
90% RH max.(non condensing)  
Mounting : channel mount

- **Model : CDI-SA**
- **Discharge Voltage**  
btwn lines : 30V or more  
btwn line & gnd : 500V or less
- **Max. Surge Voltage**  
40V or less (btwn lines)
- **Response Time : 0.1 microseconds or less**
- **Discharge current : 10,000A(8x20 microseconds)**
- **Max. Load Current : 100mA**
- **Internal Series Resistance : Approx. 20 ohm (Including return)**
- **Permissible Leakage Current**  
btwn line : 5μA or less ( at 30V DC)  
btwn line & gnd : 5 A or less (at 140V DC)
- **Capacity Btwn Lines : 1μF**
- **Max. Line Voltage : 30V**

### CONNECTION DIAGRAM

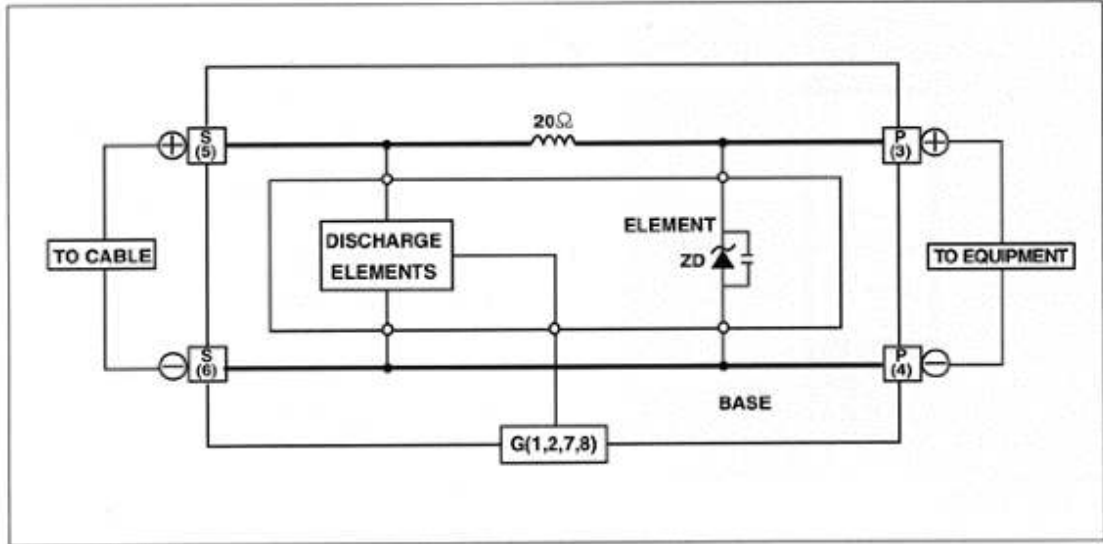


We provide your solutions

# STANDARD(SIGNAL LINE USE) ARRESTER CDI-SA



## SCHEMATIC CIRCUIT & CONNECTION



## TERMINAL ASSIGNMENT

