

We provide your solutions

CDI LEVEL CONTROLLERS



Monitoring & Control Your Fields
With CDI Units



Level Controllers



CDI TECH CO.,LTD.
Suite 706 World Meridian Venture Center II,
426-5, Kasan-Dong, Kumchun-Gu, Seoul, Korea
Phone : 82-2-2025-8188 FAX : 82-2-2025-8187
e-mail : cdi@cdinstech.com
Web : www.cdikorea.com

We provide your solutions



CDI LEVEL CONTROLLERS

CDI -LIC4

CDI-LIC4



CDI-LIC4

LEVEL CONTROLLERS

As an economic and traditional level controller and as an alarm setter and pump control. Compatible with various type of 2 wire local transmitters and built in power supplier supplies DC 24V to the transmitters. Low Alarm, ON &OFF control and High Alarm setting should be sequentially. Wrong setting may results unwanted operation of controller.

SPECIFICATIONS

Model	CDI-LIC4
Mounting	Wall mount
Dimension	89(W)x129(H)x76(D)mm
Housing	ABS Plastic
Display	None
Operating Temp.	-20°C to +60°C
Operating Humidity	90% RH max
Contact rating	250V 5A
Function	High Alarm, Pump Control, Low Alarm
Resistance	200
Output	Relay contact
Accuracy	2% of full scale
Lineality	± 0.1% of full scale
Power	AC110V/220V 50-60Hz
Source to transmitter	DC24V
Weight	480g

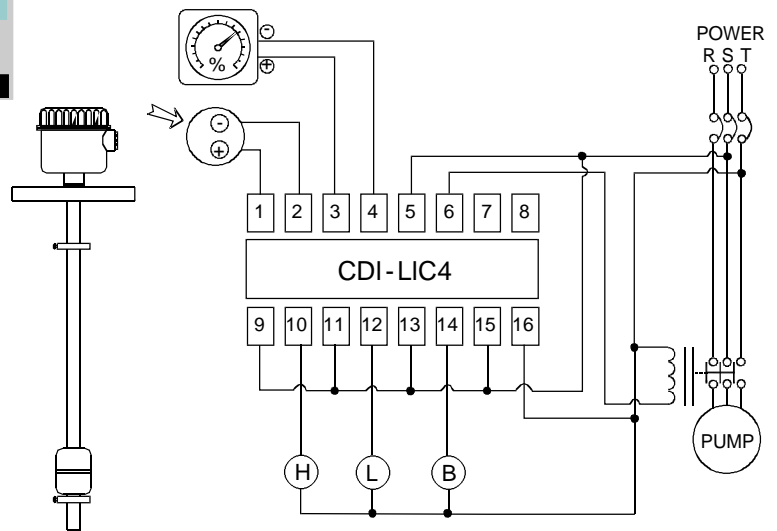
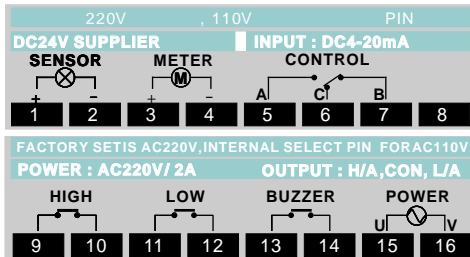
We provide your solutions

CDI LEVEL CONTROLLERS

CDI -LIC4



WIRING



DIMENSION & CUTOUT SIZE

