


MODEL	CDI - LCC
 <b>CDI TECH CO.,LTD.</b>	

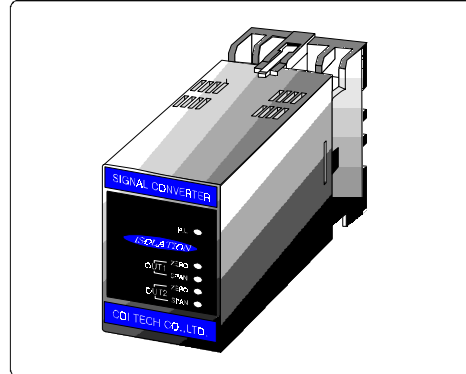
# LOAD CELL CONVERTER

## ● GENERAL SPECIFICATION

- Construction : Plug -in
- Wring : M3.5 Screw Terminal
- Isolation : Power to Input to Output1 to Output2
- Adjustment : Zero & Span  $\pm 20\%$  of full scale

## ● INPUT

- Input signal : Bridge voltage from load cell
- Rated output from strain guage : 1~20mV/V
- Excitation voltage : 10V standard and others
- Permissible current : 35mA at 10V max



The converter CDI-LCC accepts the signal from bridge type strain guage for use in load cell sensors and provides isolated proportional DC outputs.

## ● OUTPUT

- DC VOLTAGE :  $\pm 12V$  Max
- Load Resistance

Output	Resistance
0 ~ 10mV	1K or more
0 ~ 100mV	1K or more
0 ~ 1V	1K or more
0 ~ 5V	2K or more
0 ~ 10V	4K or more
-10V ~ 10V	4K or more

- DC CURRENT : 0 ~ 20mA
- Load Resistance

Output	Resistance
0 ~ 1mA	15K or less
0 ~ 10mA	1.5K or less
0 ~ 20mA	750 or less
1 ~ 5mA	3K or less
4 ~ 20mA	750 or less

-Display range : -999~1999,3 1/2 digit  
(available decimal point)

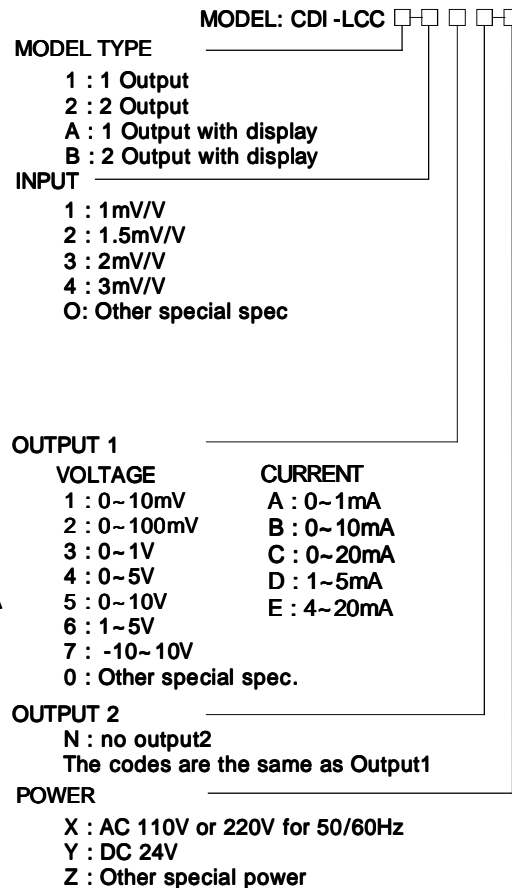
## ● INSTALLATION

- Operating temperature : -5 ~ 55
- Operating humidity : 90%RH Max  
(none condensing)
- Power supply
  - AC : 110V or 220V/60Hz  $\pm 10\%$ , approx 3VA
  - DC : 18V ~ 30V  $\pm 10\%$ , approx 3VA
- Power selection : AC 110V/220V Switch  
in the back plane
- Mounting : Wall or DIN rail

## ● PERFORMANCE

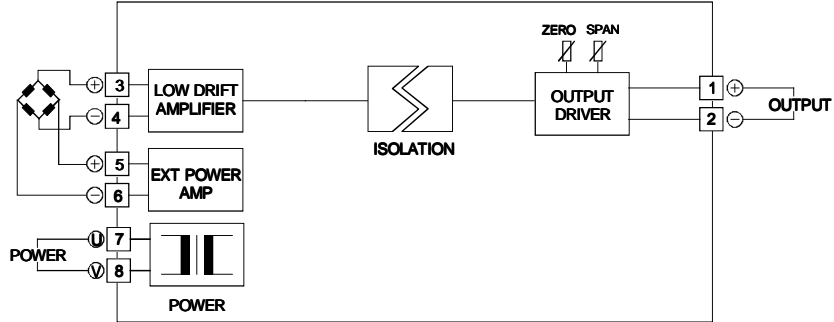
- Accuracy :  $\pm 0.2\%$
- Temp'coefficient :  $\pm 0.015/$
- Response time : 0.5 Sec or less(0~90%)
- Insulation resistance : 100M or more  
with 500VDC(Input/Output/Power)
- Dielectric strength : 1500VAC at 1minute  
(Input to Output to Power)

## ● ORDERING CODE SELECTION

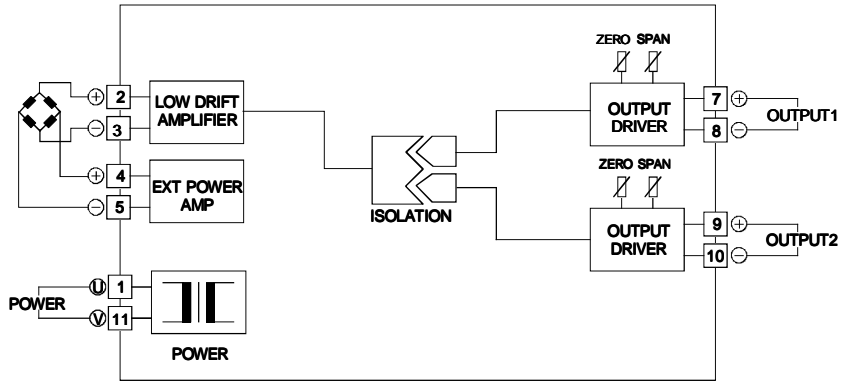


# LOAD CELL CONVERTER

## ● 8 PIN CONNECTION DIAGRAM

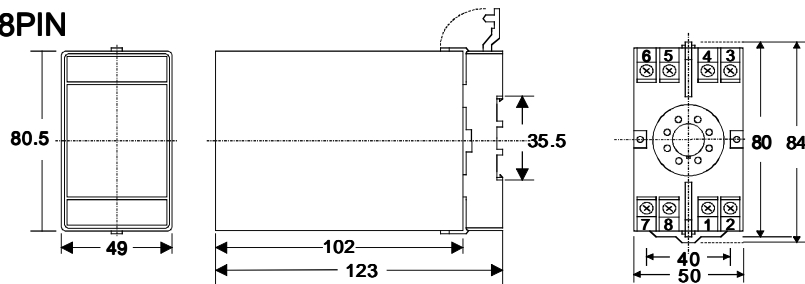


## ● 11 PIN CONNECTION DIAGRAM



## ● DEMENSION

### ■ 8PIN



### ■ 11PIN

