


MODEL	CDI - ASC
 CDI TECH CO.,LTD.	

AC SIGNAL ISOLATION CONVERTER

● GENERAL SPECIFICATION

- Construction : Plug -in
- Wring : M3.5 Screw Terminal
- Isolation : Power to Input to Output1 to Output2
- Adjustment : Zero & Span $\pm 20\%$ of full scale

● INPUT

AC VOLTAGE

- Range : AC 400V Max
- Frequency : 50~60Hz
- Signal shape : Resemblance to sign wave

AC CURRENT

- Range : AC 5A Max
- Frequency : 50~60Hz
- Signal shape : Resemblance to sign wave

● OUTPUT

- DC VOLTAGE : $\pm 12V$ Max
- Load Resistance

Output	Resistance
0 ~ 10mV	1K or more
0 ~ 100mV	1K or more
0 ~ 1V	1K or more
0 ~ 5V	2K or more
0 ~ 10V	4K or more
-10V ~ 10V	4K or more

- DC CURRENT : 0 ~ 20mA
- Load Resistance

Output	Resistance
0 ~ 1mA	15K or less
0 ~ 10mA	1.5K or less
0 ~ 20mA	750 or less
1 ~ 5mA	3K or less
4 ~ 20mA	750 or less

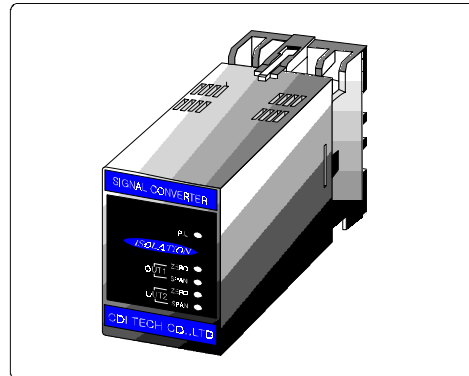
- Display range : -999~1999,3 1/2 digit (available decimal point)

● INSTALLATION

- Operating temperature : -5 ~ 55
- Operating humidity : 90%RH Max (none condensing)
- Power supply
 - AC : 110V or 220V/60Hz $\pm 10\%$, approx 3VA
 - DC : 18V ~ 30V $\pm 10\%$, approx 3VA
- Power selection : AC 110V/220V Swich in the back plane
- Mounting : Wall or DIN rail

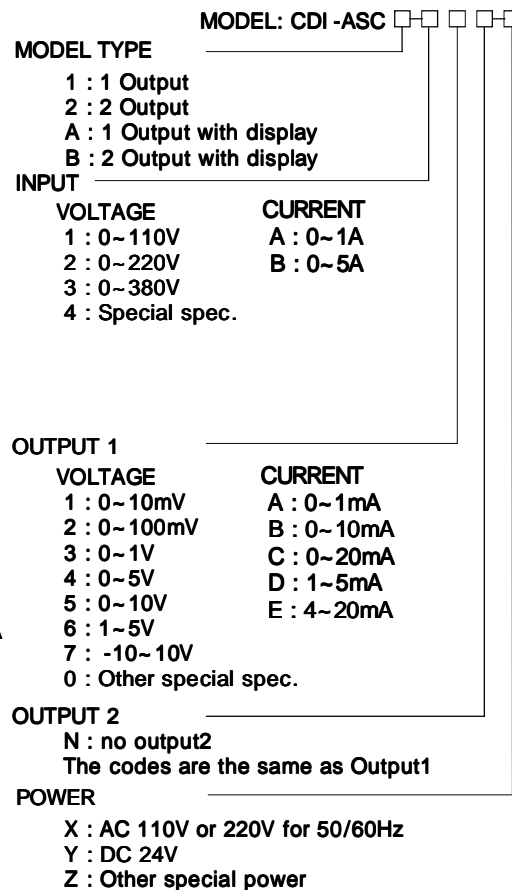
● PERFORMANCE

- Accuracy : $\pm 0.2\%$
- Temp'coefficient : $\pm 0.015/$
- Response time : 0.5 Sec or less(0~90%)
- Insulation resistance : 100M or more with 500VDC(Input/Output/Power)
- Dielectric strength : 1500VAC at 1minute (Input to Output to Power)



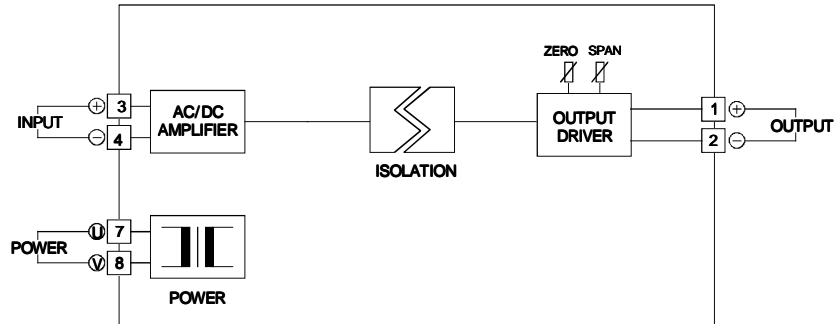
The converter CDI-ASC accepts AC signal - voltage or current -and provides isolated proportional DC outputs.

● ORDERING CODE SELECTION

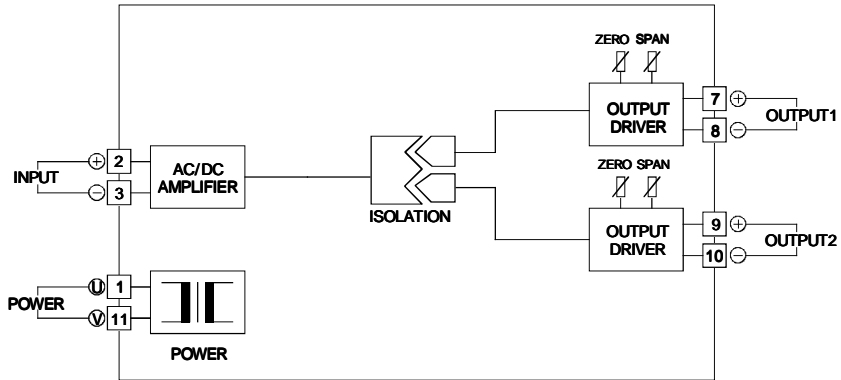


MODEL	CDI - ASC	AC SIGNAL ISOLATION CONVERTER
 CDI TECH CO.,LTD.		

● **8 PIN CONNECTION DIAGRAM**

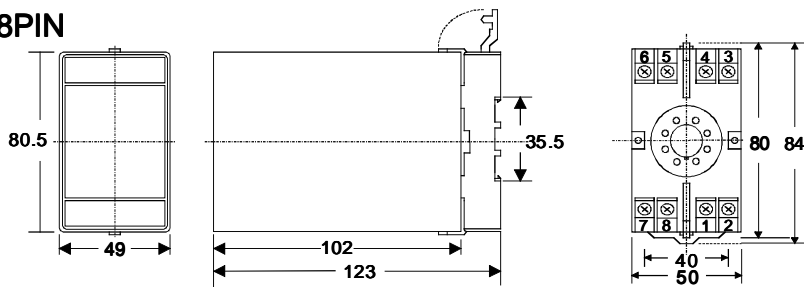


● **11 PIN CONNECTION DIAGRAM**



● **DEMNITION**

■ **8PIN**



■ **11PIN**

